

Oasis

Non-Refrigerated Self-Service Case 32"D

Structural Concepts®

DELIVERING FRESH. ALWAYS.™

- **B3632D** 36-5/8"L x 32-1/4"D x 82-1/2"H
- **B4732D** 47-5/8"L x 32-1/4"D x 82-1/2"H
- **B5932D** 59-5/8"L x 32-1/4"D x 82-1/2"H
- **B7132D** 71-5/8"L x 32-1/4"D x 82-1/2"H

Included

- Flat upper front panel & header
- LED 4000K top light(s)
- One year parts & labor warranty
- Shelving removable and adjustable on 1" centers

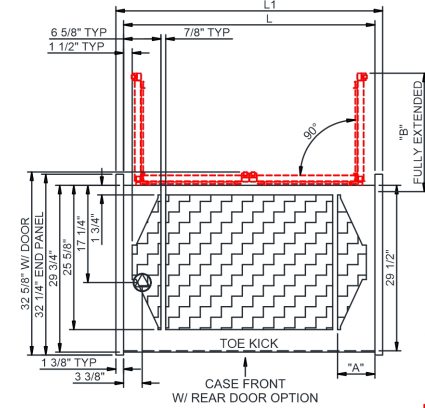
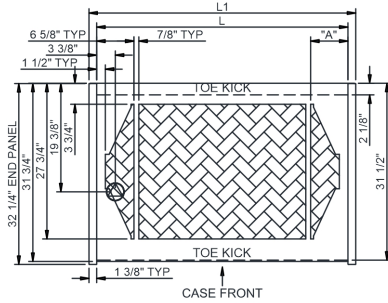


B3632D

Specify	Standard Features	Additional Options
EXTERIOR COLOR	• Laminate (stock colors)	• Laminate (non-stock colors) • Stainless steel
INTERIOR COLOR	• Powder coated Silversan Black	• Stainless steel
LOWER FRONT PANEL COLOR	• Powder coated Silversan Black	• Stainless steel (must choose stainless exterior)
REAR EXTERIOR COLOR	• Black	• White
BASE SUPPORT	• Casters w/ levelers	• Levelers (only)
END PANELS	• Full w/stainless steel mirror interior	• Cutaway w/glass
REAR DOORS	• None (solid back panel)	• Rear loading hinged doors, locking (changes air discharge to lower rear)
SHELVING	• Metal shelves, non-lighted	• Metal shelves, lighted (LED)
LIGHTS	• LED 4000K w/ frosted lens	• LED 3500K w/ frosted lens
ELECTRICAL CONNECTION	• 6' Straight blade power cord	• 6' Locking blade power cord
MISCELLANEOUS		• Roll-down security cover, locking • Second year parts & labor warranty
ACCESSORIES		• Price tag molding (matches interior color)

Intended Environment: Type I - Designed to operate in ambient conditions of 75°F with 55% relative humidity unless noted otherwise in system information below.		
Zone	Intended Product To Be Displayed	Warmest Avg Prod Temp ° F
1	Packaged non-refrigerated products	Ambient

PLAN VIEW

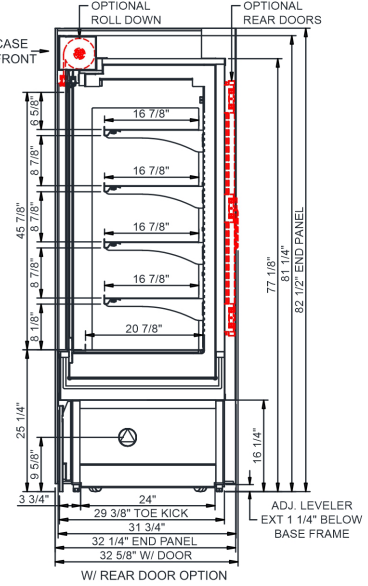
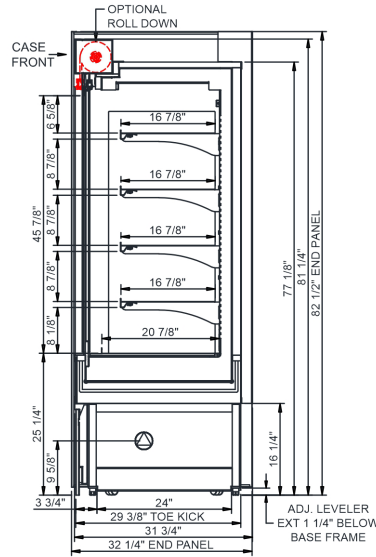


	"A"	"B"
B3632D	6 5/8"	32 1/8"
B4732D	6 5/8"	20"
B5932D	6 5/8"	21 3/4"
B7132D	14 1/8"	20"

MODEL	REAR DOOR OPENING WIDTH X HEIGHT
B3632D	22 7/8" X 42 1/4"
*B4732D	11 7/8" X 42 1/4" TYP
*B5932D	11 7/8" X 42 1/4" TYP
*B7132D	22 7/8" X 42 1/4" TYP

*(2) REAR DOORS

SIDE VIEW



NOTE: ALL DIMENSIONS APPROXIMATE

- ELECTRICAL JUNCTION BOX**
(SUPPLIED WITH 6" LEADS OR POWER CORD).
- LOCATION OF DRAIN TUBE FOR REMOTE REF.**
ONLY (SUPPLIED WITH 3/4" OR 1 1/2" PVC TUBE).

- REFRIGERATION LINE CONNECTION.**
- REMOTE FLOOR SINK & UTILITIES ACCESS AREA.**

- SELF-CONTAINED CASE SERVICE ACCESS AREA.**
- DRY CASE SERVICE ACCESS AREA.**

Model Technical Specifications

Model	L"	L1"	L2"	System Circuit Volts	Phs	Freq	Amps ***	Watts	Wires	NEMA Plug	SST	Conv. Rack RTU#	Para. Rack RTU#	Est Wt	
B3632D	N/A	36.63	.00	Ambient/Lights (N/A)	Circuit #1	110-120	1	60	0.81	85	2+G	5-15P or L5-15P	N/A	N/A	650
B4732D	N/A	47.63	.00	Ambient/Lights (N/A)	Circuit #1	110-120	1	60	1.18	125	2+G	5-15P or L5-15P	N/A	N/A	750
B5932D	N/A	59.63	.00	Ambient/Lights (N/A)	Circuit #1	110-120	1	60	1.52	160	2+G	5-15P or L5-15P	N/A	N/A	850
B7132D	N/A	71.63	.00	Ambient/Lights (N/A)	Circuit #1	110-120	1	60	1.68	200	2+G	5-15P or L5-15P	N/A	N/A	950

*** Does not include electric defrost on freezer models.

Regulatory Approvals:

All Models ETL Listed to UL 65
ETL Sanitation to NSF/ANSI 2

DOE 2017
Energy Efficiency
Compliant

Important Notes:

- 1) ELECTRICAL NOTE: If GFCI is required, a GFCI breaker MUST be used in lieu of a GFCI receptacle
- 2) Units are supplied with levelers which must be adjusted during installation to ensure the unit is level and plumb.

⚠ WARNING: This product can expose you to chemicals, including Urethane (Ethyl Carbamate), which are known to the State of California to cause cancer and birth defects or other reproductive harm. For more information go to www.P65Warnings.ca.gov.